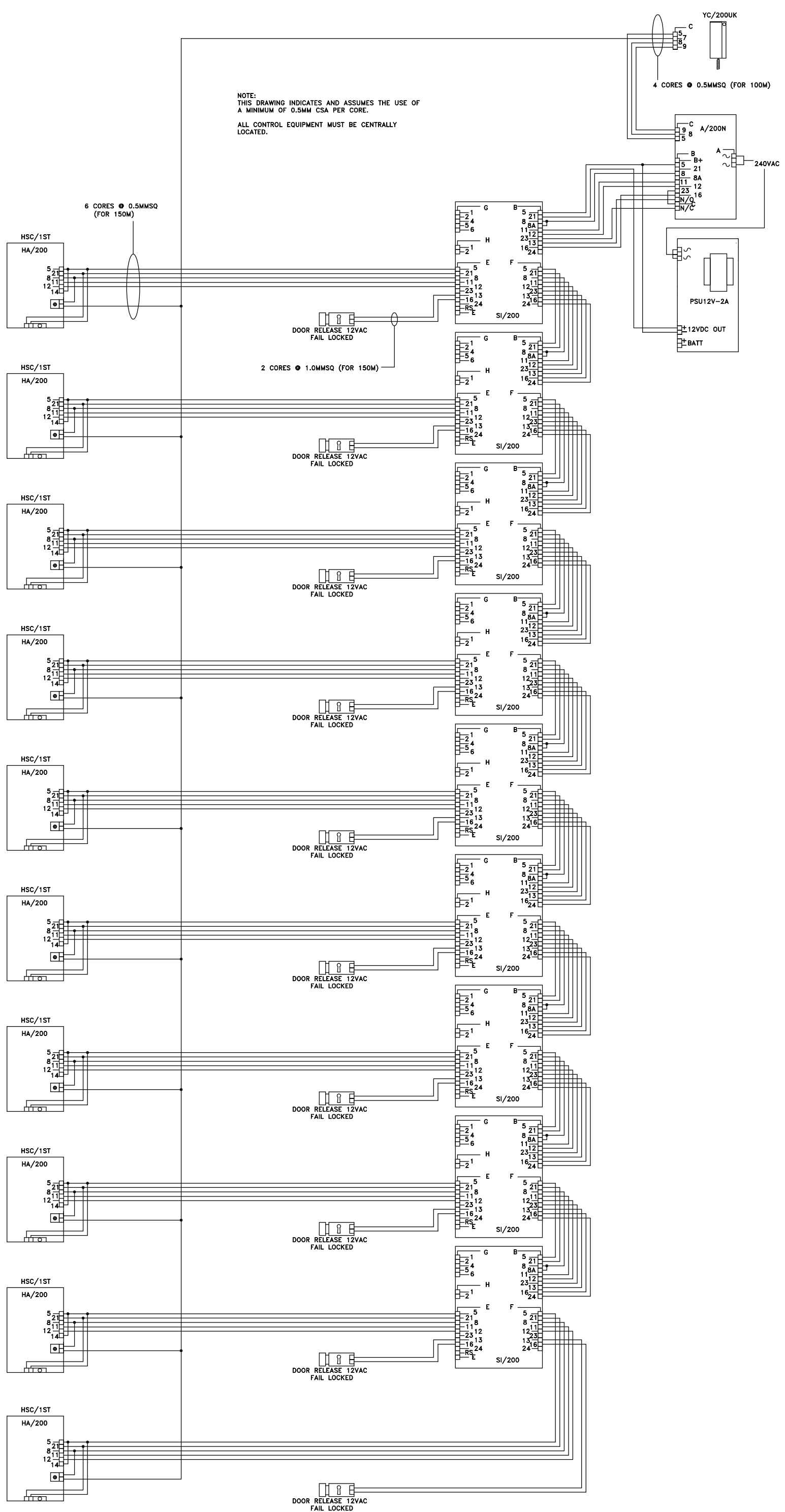


NOTE:
THIS DRAWING INDICATES AND ASSUMES THE USE OF
A MINIMUM OF 0.5MM CSA PER CORE.
ALL CONTROL EQUIPMENT MUST BE CENTRALLY
LOCATED.



BPT (UK) LTD. HERTS. ENGLAND	PREPARED FOR INSTALLER INFORMATION	DATE: 07/11/05	DRAWN:RC
	DRAWING TITLE: 10 x 1 BUTTON TARGHA AUDIO ENTRY PANELS CALLING 1 HANDSET	REVISED:	DRAWING No: E-1T10Y1L